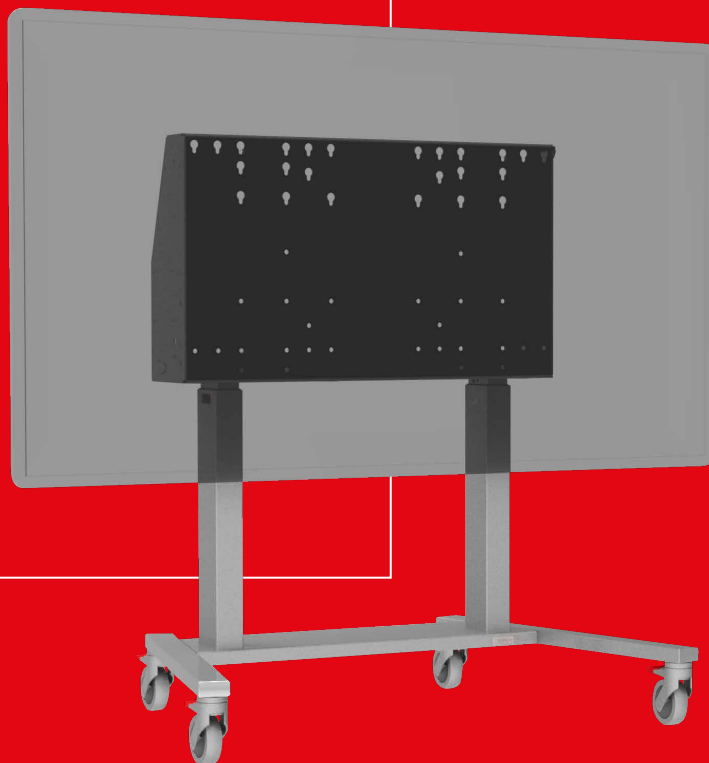


Motion

EFF5251, EFF5251Z, EFF5251ZK, EFF5251ZZK

ErgoFrame



Your message **always supported.**

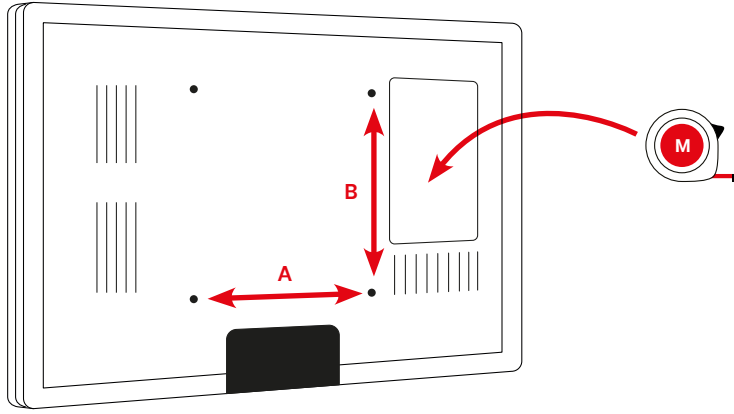
Installation manual

ergoxs.com

ERGO
XS

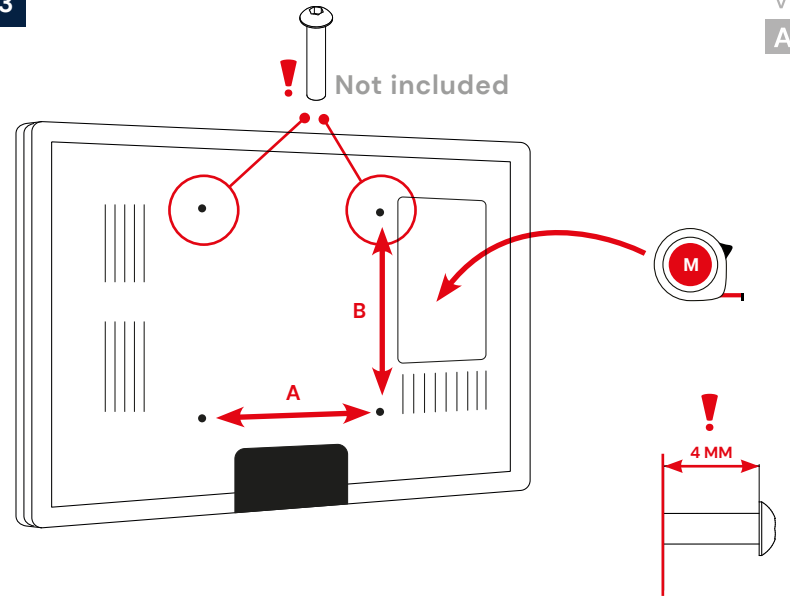
Step 1

VESA
A x B

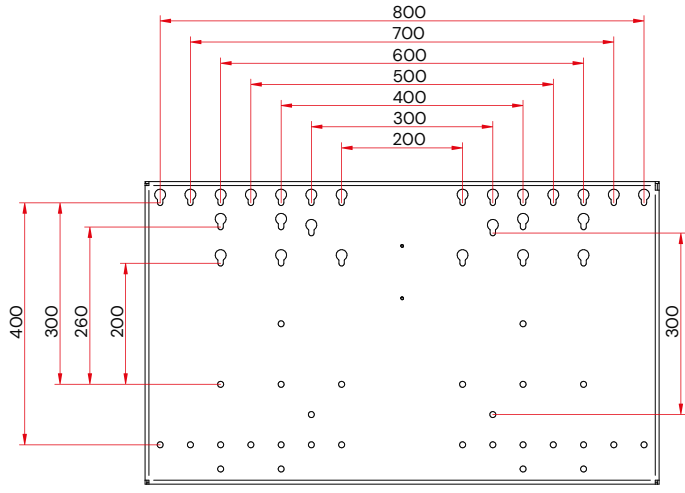


Step 3

VESA
A x B

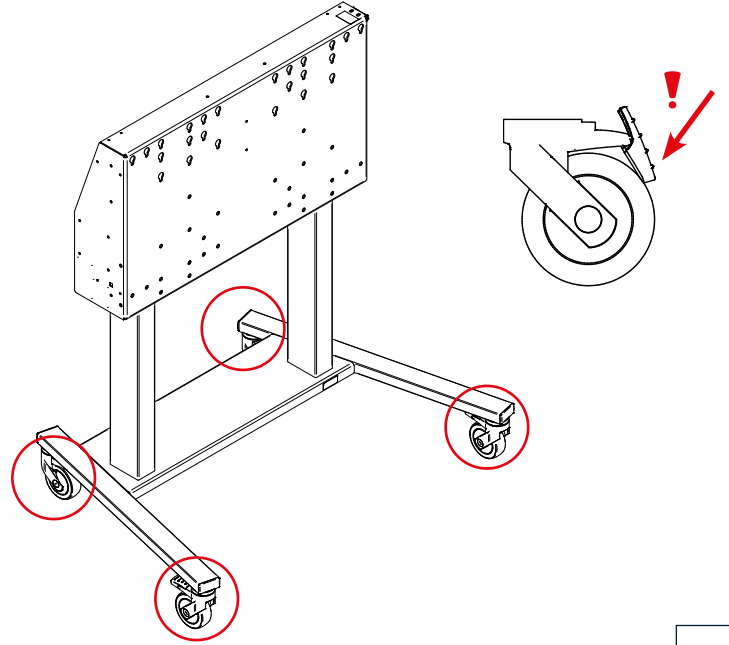


Step 2

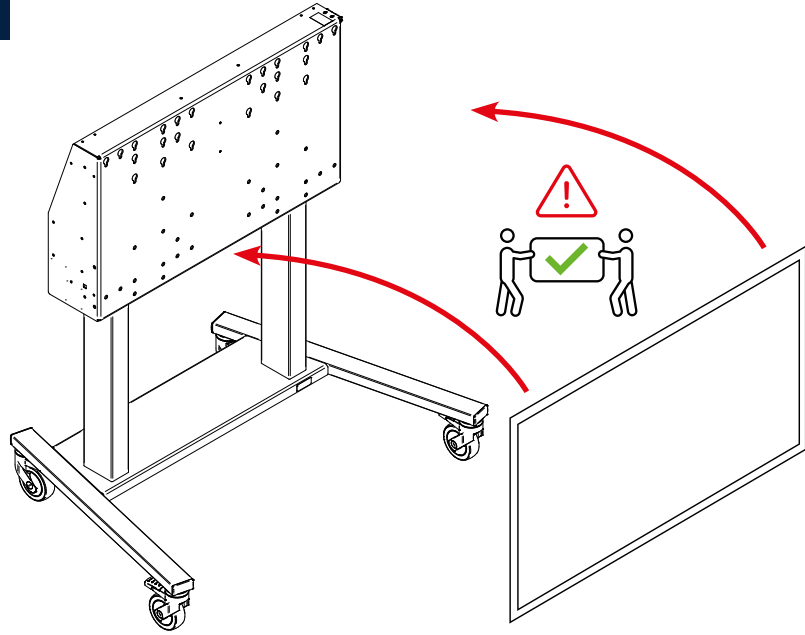


- VESA**
800x400
700x400
600x400
600x200
400x400
400x300
400x200
300x400
300x300
200x400
200x200
600x440
400x440

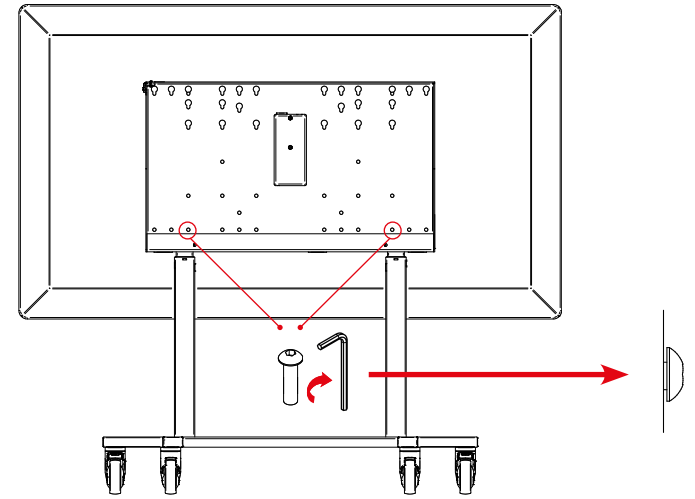
Step 4



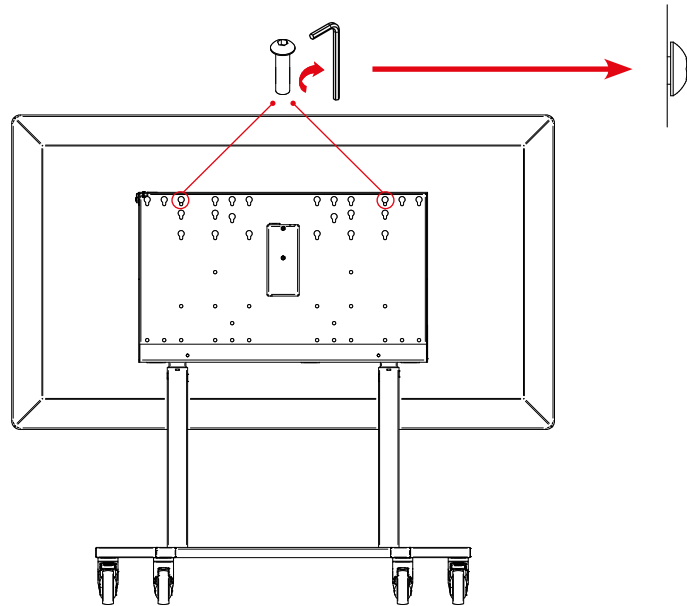
Step 5



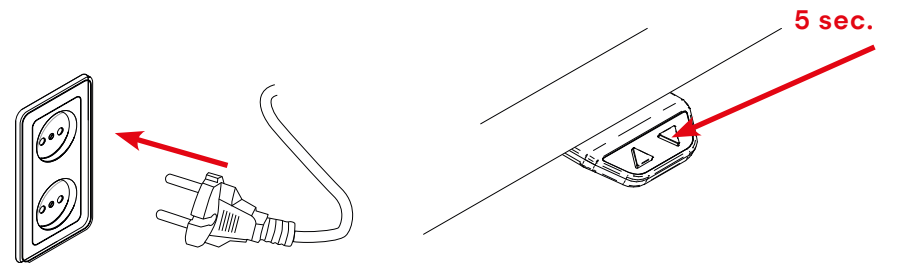
Step 7



Step 6



Step 8



A large rectangular area with a red border, containing 30 horizontal grey lines for writing.

A large rectangular area with a red border, containing 30 horizontal grey lines for writing. The bottom right corner of the page is cut off, creating a stepped shape.

