

MeetingBar A40

MeetingBar A40



3rd-Gen Android bar

more powerful performance and
industrial ID

Position

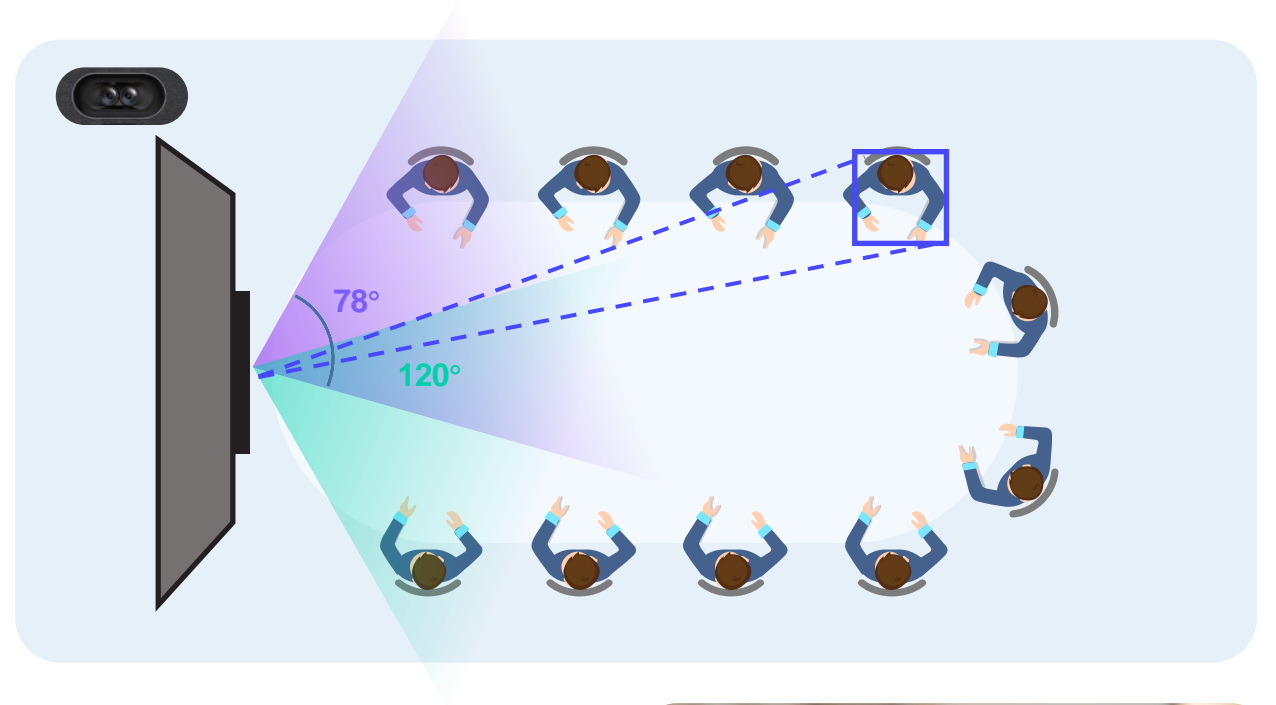
For premium small and medium
rooms (within 13 people)

Product Highlights: DUAL-EYE CAMERA SYSTEM

What makes **120° DFOV** **DUAL-EYE DESIGN** special?

Stitching two 78° DFOV tele-lens images to create an ultra-wide 120° DFOV view.

- **IMAGE QUALITY-** Guarantee exceptional image clarity for short and long distances in medium-sized meeting spaces. Compared with a single-camera solution with a 120° FOV, the dual-eye design of A40 provides significantly better image quality at long distances.
- **VIEWING ANGLE-** Lens direct to the each side of the participants, giving a better viewing angle and less distortion.
- **With 48MP CAMERA,** easily cover long distance portrait framing in medium-sized room.



Single camera solution in long distance framing



Dual-eye solution in long distance framing

Product Highlights: Voice Enhance

Yealink AI Audio V2 greatly improve the audio quality

- 6-meter voice pickup range
- noise cancellation
- echo cancellation

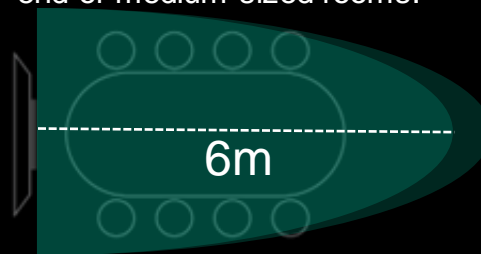
8 MEMS microphone array+ Stereo speakers



Industry-leading **AI-enhanced** noise cancellation and echo cancellation.



High-quality full-duplex **6m** pickup range, covering speakers at the far end of medium-sized rooms.



Supports Line-in and Line-out.

Line-in ensures audio quality through in-device algorithms; Line-out supports synchronous output of audio streams to third-party assistive listening systems.

Product Highlights

Android



Android 13, with a
continued future update

 Built on
Microsoft Device Ecosystem Platform

Enhance security and deployment
experience

Product Highlights: MDEP Ready



What's MDEP?

- Android-based platform from Microsoft
- Security, Management

Why do we need MDEP?

- Security improvement
- Security endorsement from Microsoft
- OS Upgrade guarantee

Note

- OS: 13
- Timeline: Q4

Product Highlights: Industrial ID Design



Fluent Looking, skin-like texture

Whether held in your hand or placed in the conference room, it will elevate the rooms



Dual Camera , Possessing symmetrical aesthetics



Electric privacy shutter

Capable of physically protecting user privacy

New Controller: CTP25



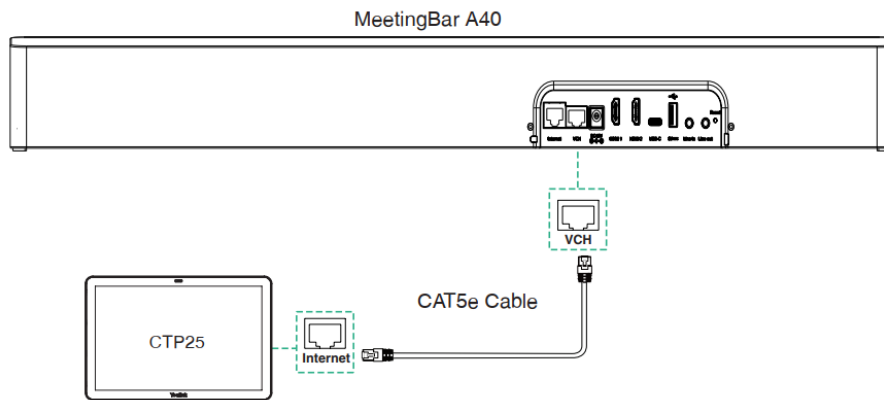
CTP25

- 10.1 inches, increase screen-to-body ratio, and supports IPS
- Support Android 13
- MDEP Supported (in September)
- Built-in Content Sharing
- Ultrasonic technology
- Diverse Deployment
- USB PD

Product Highlights : User-friendly Connection

Direct Connection

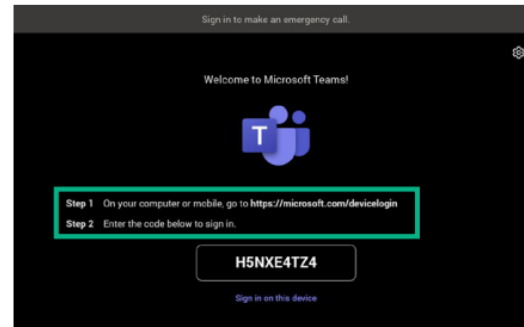
with an Ethernet Cable



You can choose to log in to a Teams account once on either the CTP25 or A40 device to complete the deployment

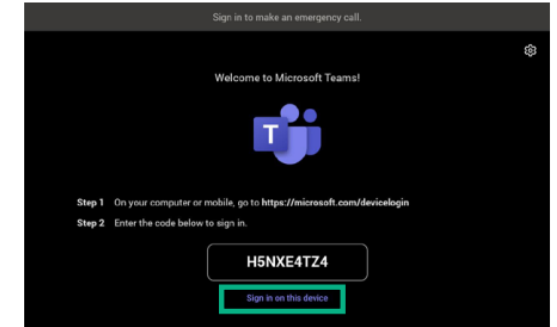
Method 1: Sign in on the website

Find a networked computer and operate it according to the prompts of CTP25 and A40.



Method 2: Sign in on the device

Use the remote control to operate it if your display does not support touch.



Same as MTR-W

Dual mode in one SKU: CTP25

Direct Deployment

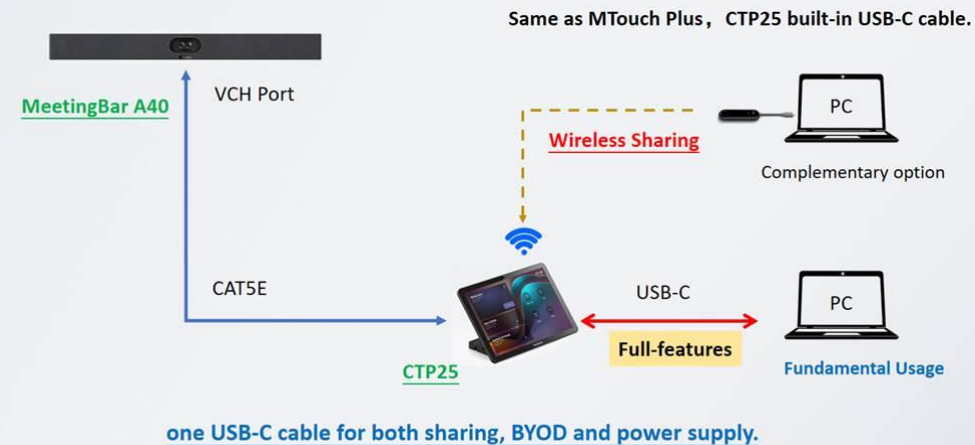
- Single Sign-in support
- BYOD
- USB-C Content sharing
- USB-PD to PC

LAN Deployment

- BYOD
- USB-C Content sharing
- USB-PD to PC

Yealink Sharing Strategy in MTR-A

A40-CTP25: Simple and Reliable Deployment



Product Highlights: One Cable with Enormous Functions



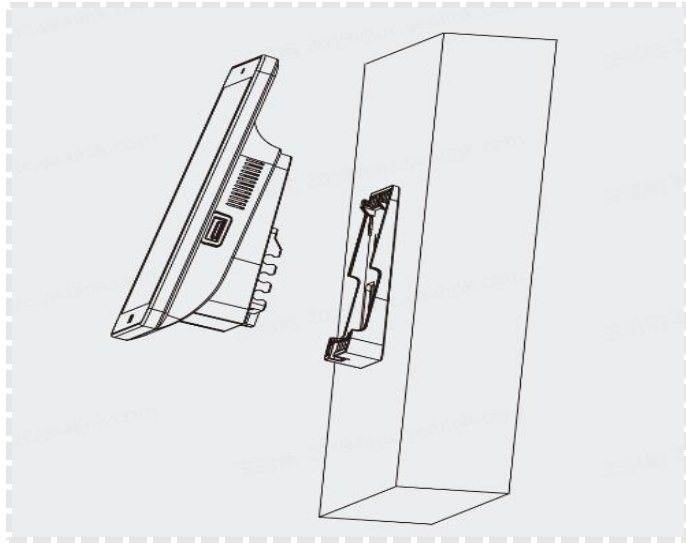
This Type-C cable can achieve the following functions:

- 4K Content sharing (Integrated VCH51)
- Wired & wireless BYOD
- **USB PD**, directly powers the PC with a maximum of 60W

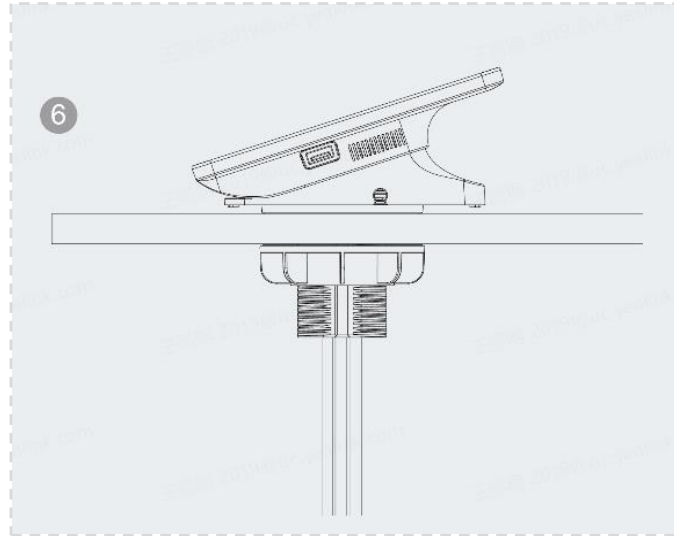


Product Highlights: Diverse Deployment

Wall-mounted



Mount on the table-top stand



Desk stand

