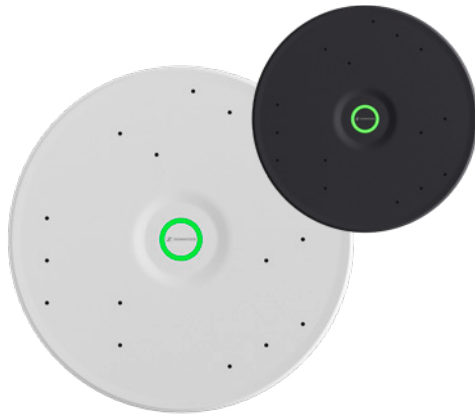




TeamConnect Ceiling Medium

Ceiling microphone array



Sennheiser
Control Cockpit

FEATURES

- Patented automatic dynamic beamforming
- TruVoicelift
- 15 SMD Electret condenser capsules made in Germany
- Perfect speech intelligibility
- Dante or Analog Output
- PoE
- Exclusion Zones
- Priority Zone
- Camera Control via talker position data
- IEEE 802.1x
- TLS 1.2
- 5 years warranty

DELIVERY INCLUDES

TCC M-F-W (Art. no. 700170)

TCC M-F-B (Art. no. 700234)

Ceiling Mic Flush Mount Kit

- Microphone
- Front plate
- Flush Mount kit
- Chicago plenum connection box cover plate
- Phoenix connector
- Safety rope
- Suspension kit

With a coverage of up to 40 m², our ceiling microphone TeamConnect Ceiling Medium is the right choice for mid-sized meeting rooms and lecture or collaboration spaces.

With this solution, Sennheiser provides an additional design option to seamlessly include our audibly superior ceiling microphone into your meeting room.

With all the great features of our trusted TeamConnect Ceiling 2 but in a more compact form, the TeamConnect Ceiling Medium microphone is a real problem-solver that allows cable-free tables and flexible furniture arrangement, while offering all of the TeamConnect Ceiling Solutions benefits like Trusted Sennheiser Audio Quality, efficient setup, brand agnostic integration, simple management and control, a sleek design and a sustainable impact.

TCC M-S-W (Art. no. 700294)

TCC M-S-B (Art. no. 700295)

Ceiling Mic Housing Kit

- Microphone
- Front plate
- Design housing
- Chicago plenum connection box cover
- Phoenix connector
- Safety rope
- Suspension kit

CONTROL SOFTWARE

Sennheiser Control Cockpit



free download at:

www.sennheiser.com/control-cockpit-software



TeamConnect Ceiling Medium

Ceiling microphone array

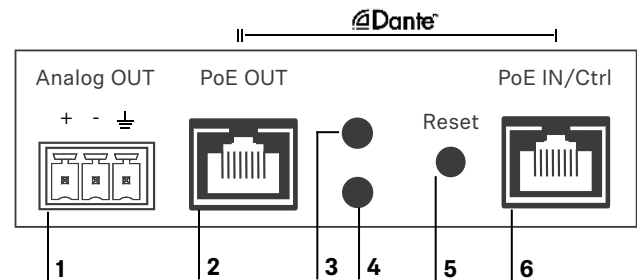
SPECIFICATIONS

Product properties	
Dimensions (Ø x H)	407 x 46 mm
Weight	max. 4,9 kg (10.8lbs)
Audio Output	1 x 3-pin terminal (fits Phoenix contact MCVW 1.5-3-ST-3.81) 1x Digital Dante Network Audio (RJ-45)
Ethernet / Control	1 x RJ-45 Ethernet Port for PoE power supply and data/control communication
Supply voltage	PoE IEEE 802.3af Class 3 or PoE IEEE 802.3at / Type 2 / Class 4 (when cascaded)
Power consumption	approx. 8 W
Safety certification	IEC/EN 62368-1 (including UL 2043 testing and compliance)
Acoustic properties	
Transducer principle	Pre-polarized condenser microphone
AF frequency response	100 Hz - 16.000 Hz
Sensitivity	0 dBV/Pa (1020 mV/Pa)
Signal-to-noise ratio	77 dB (A)
Equivalent noise level	17 dB (A)
Number of microphone capsules	15
Pick-up pattern	Beam Pattern
Max. sound pressure level	98 dB SPL
Dynamic range	81 dB (A)
Ambient conditions	
Temperature	Operation: 0 - 40°C (32 - 104 °F) Storage: -10 - 60°C (14 - 140 °F)
Relative air humidity	20 - 95 %, non-condensing

ACCESSORIES

Article	Description	Art. no.
TCC M SK	Ceiling Mic M Suspension Kit 3x Ceiling installation threads 3x 16.4 ft/ 5m length steel cables 3x Ceiling housing threads	700237
TCC M SFP-W	Ceiling Mic Spare Front Plate white	700235
TCC M SFP-B	Ceiling Mic Spare Front Plate black	700236
TCC M H-W	Ceiling Mic Housing white	700238
TCC M H-B	Ceiling Mic Housing black	700239

CONNECTIONS AND OPERATING ELEMENTS



- | | | |
|----------|--------------------|-------------------------------------|
| 1 | Analog Out | 3-pin terminal for analog audio out |
| 2 | PoE OUT | Daisy Chaining / Dante II |
| 3 | LED | Status |
| 4 | LED | PoE+ |
| 5 | Reset | Factory reset switch |
| 6 | PoE IN/CTRL | PoE / Control / Dante I |



TeamConnect Ceiling Medium

Ceiling microphone array

INSTALLATION VARIANTS



Surface Mounted

mounted directly below the ceiling

TCC M-S is used to surface mount or suspend the TeamConnect Ceiling Medium. It comes with a black or white TeamConnect Ceiling M and matching housing.



Suspended

suspended from the ceiling

The TCC M SK Ceiling Mic Suspension kit is for use when installing the TeamConnect Ceiling Medium in high-ceilinged rooms. It consists of three 16.4 ft (5m) steel cables that can be adjusted to fit the required installation height.



Flush Mounted

installed flush in a dropped/coffered ceiling

The TCC M-F Flush Mount Kit is used to install the TeamConnect Ceiling Medium flush to the ceiling. It comes with a TeamConnect Ceiling M and flush mount accessories.

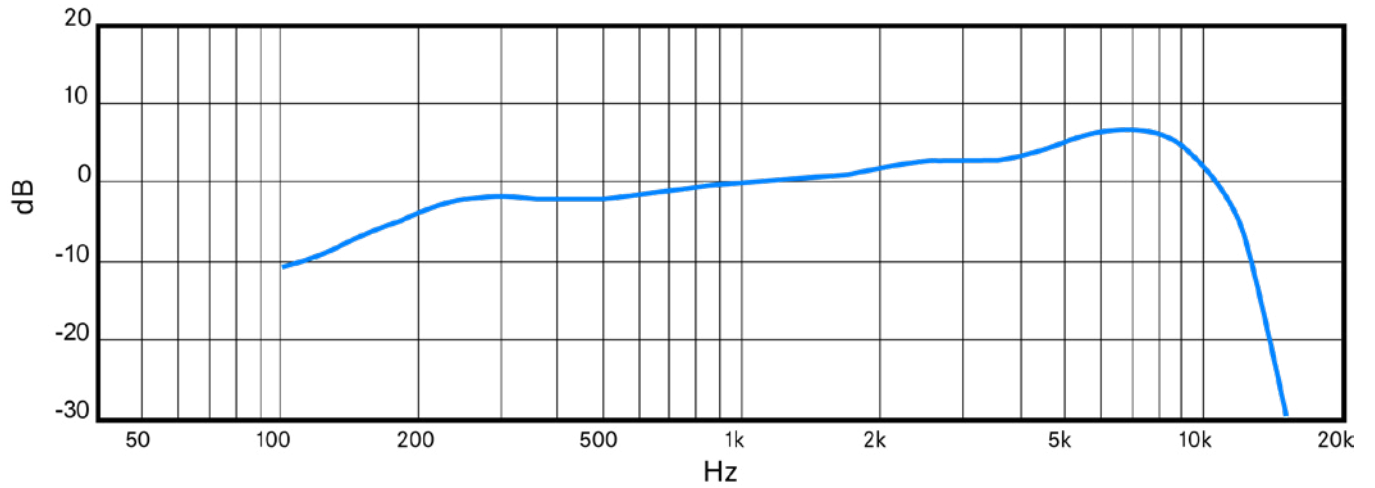
PORT-INFORMATION

Port	Protocol	Service	Product
45	UDP TCP	SSC (Sennheiser Sound Control Protocol)	TeamConnect Ceiling Medium
69	UDP	tftp (temporary during Firmware-Update)	TeamConnect Ceiling Medium
5353	UDP	mDNS via Multicast 224.0.0.251	TeamConnect Ceiling Medium
8181	HTTP	Web UI	Control Cockpit
80	HTTP	Control Cockpit Update-Service	Control Cockpit

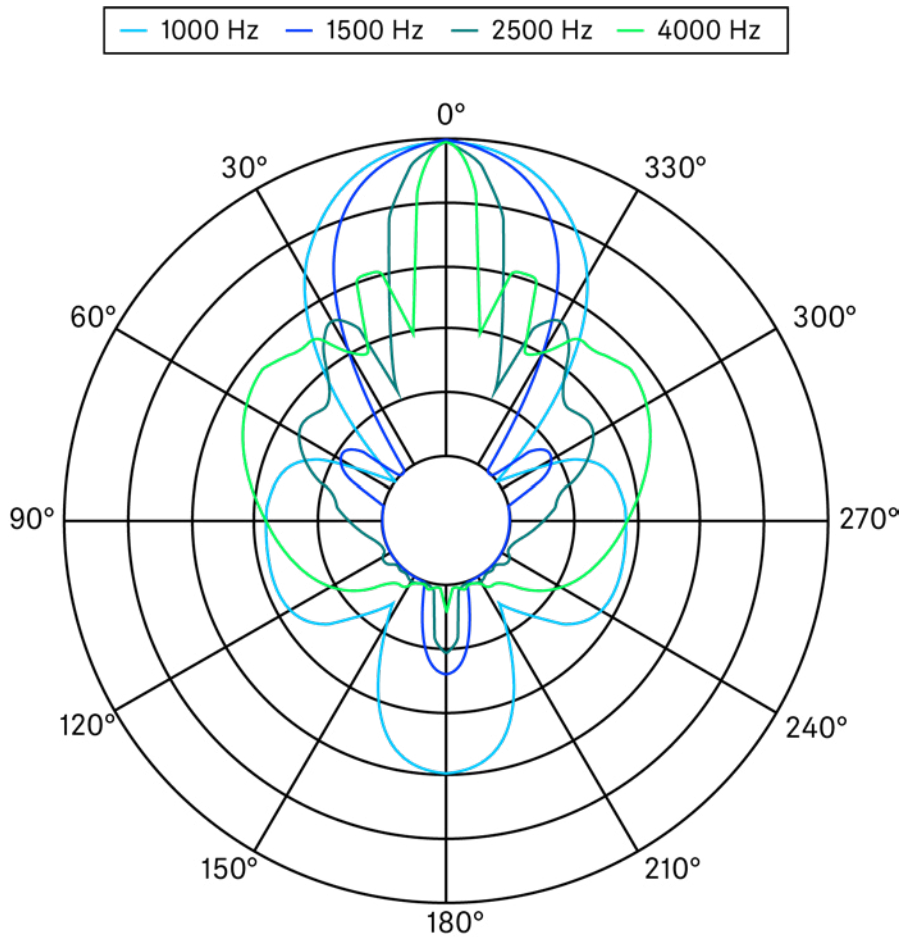


TeamConnect Ceiling Medium Ceiling microphone array

FREQUENCY RESPONSE



POLAR PATTERN

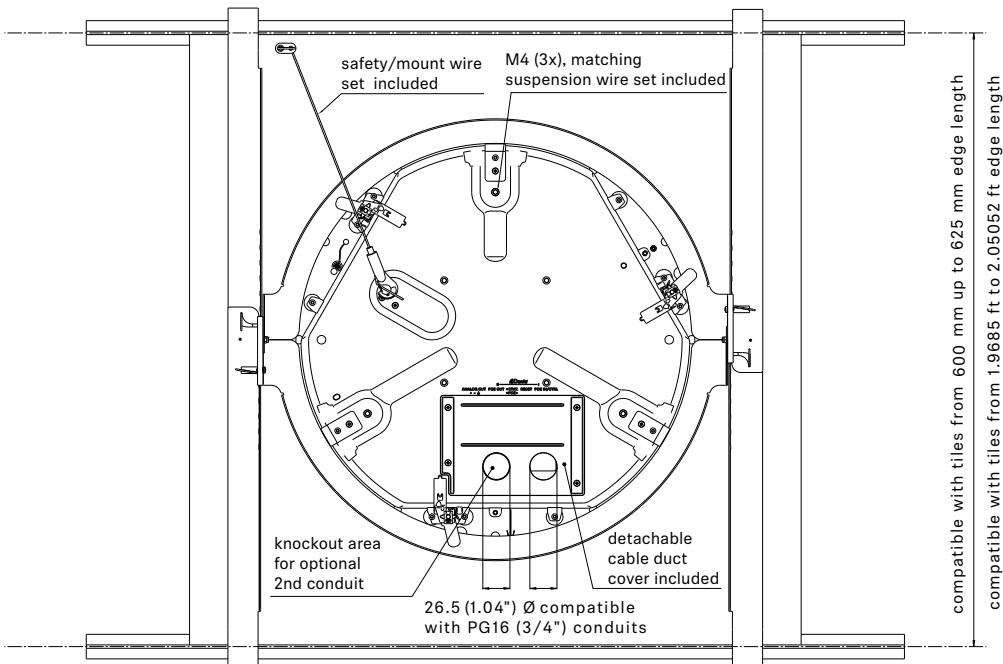
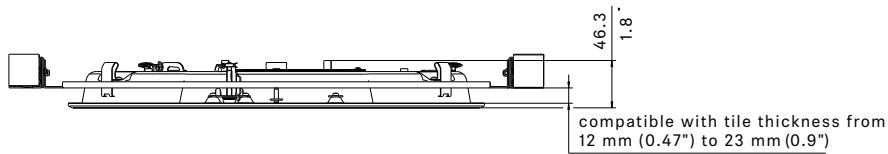
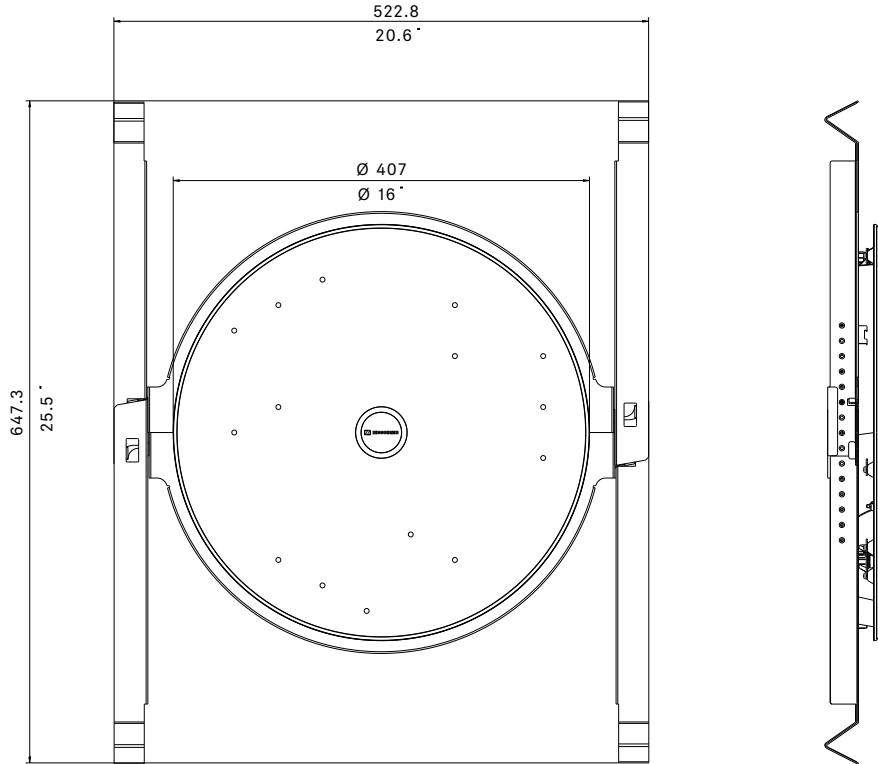




TeamConnect Ceiling Medium Ceiling microphone array

DIMENSIONS

Flush Mounted

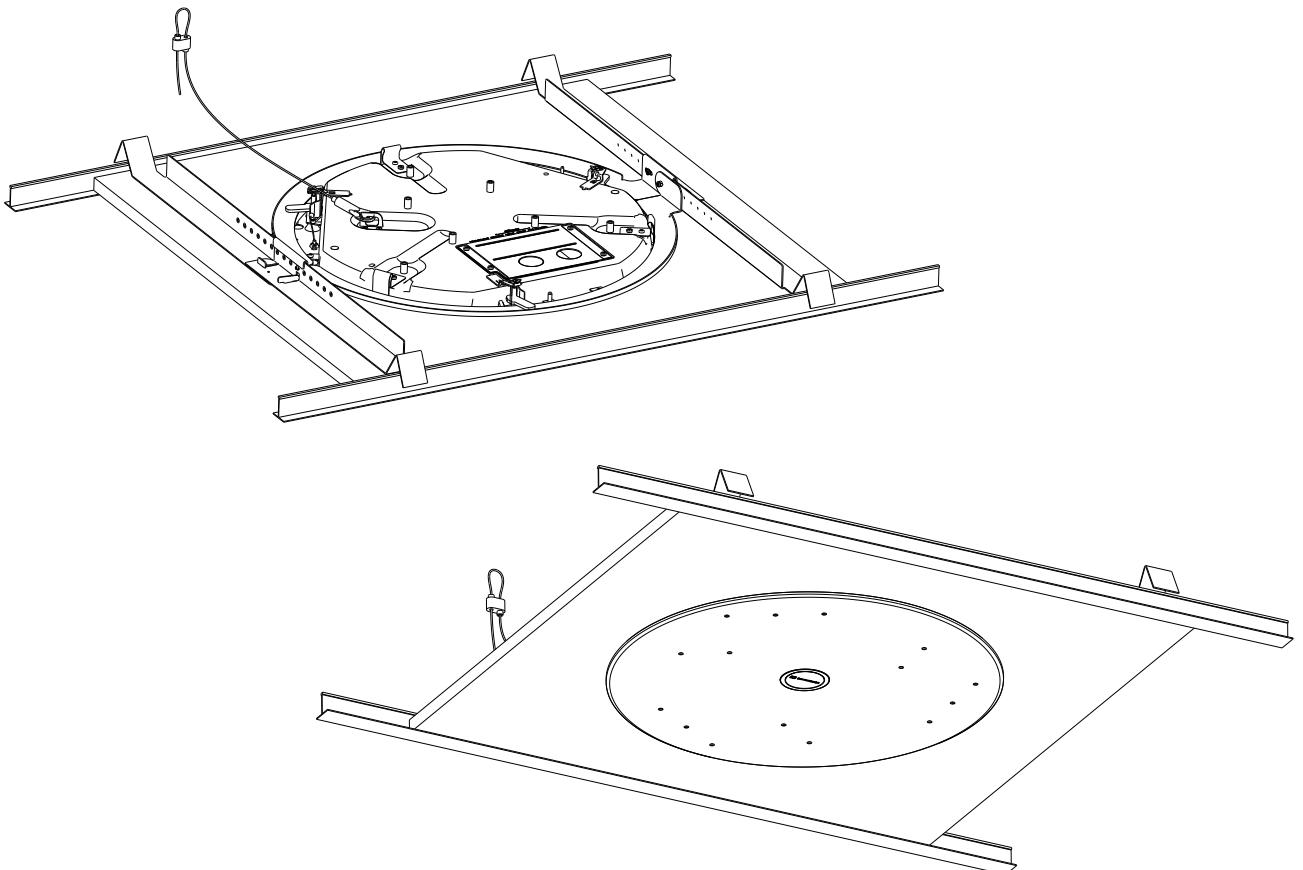
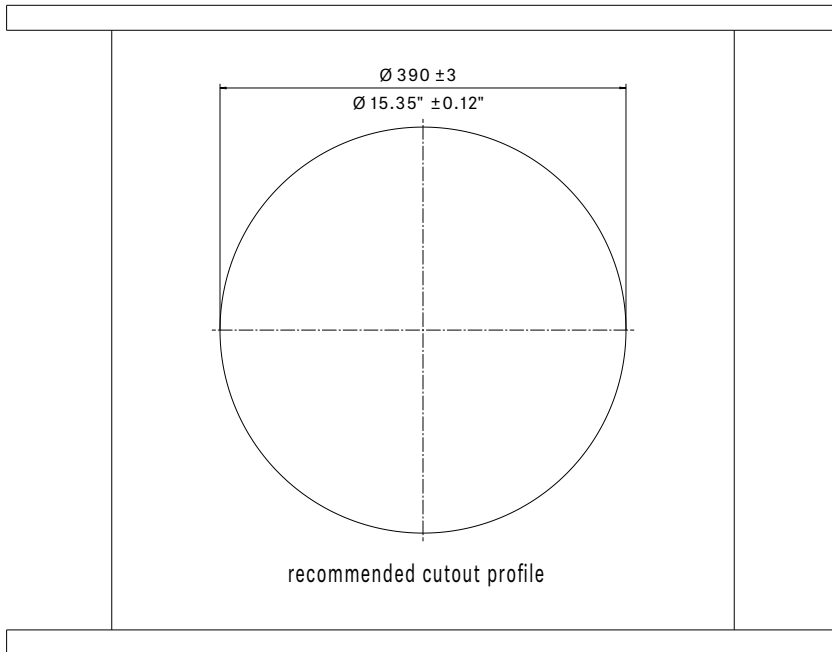




TeamConnect Ceiling Medium Ceiling microphone array

DIMENSIONS

Flush Mounted

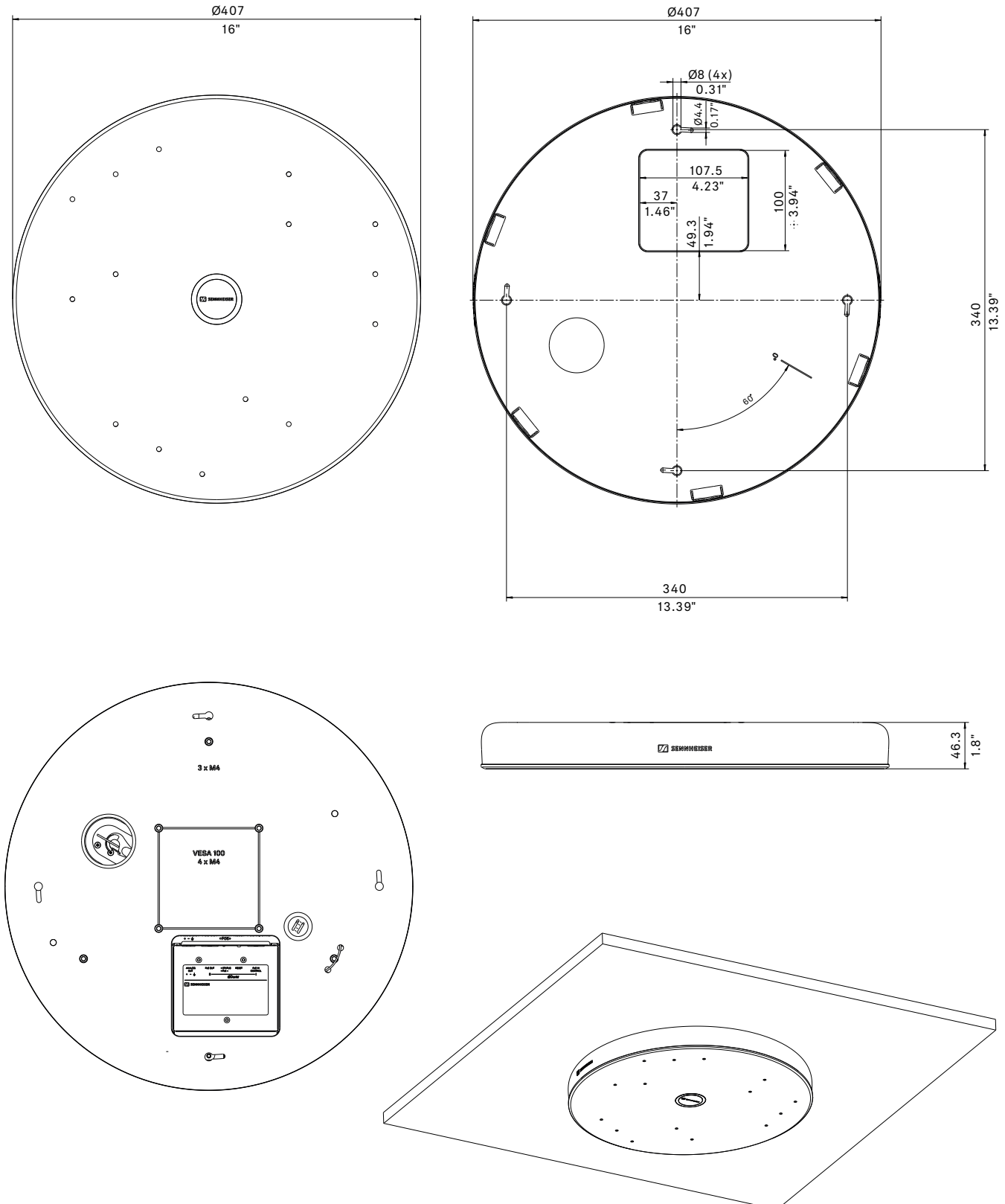




TeamConnect Ceiling Medium Ceiling microphone array

DIMENSIONS

Surface Mounted

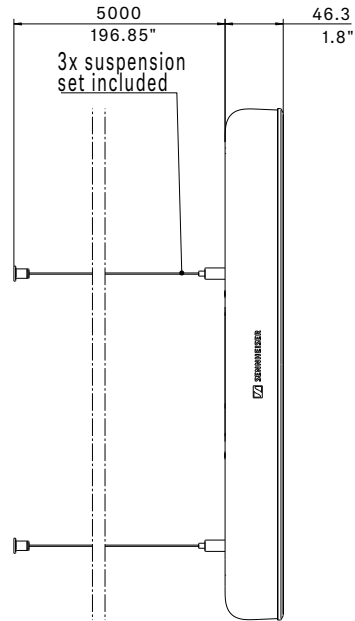
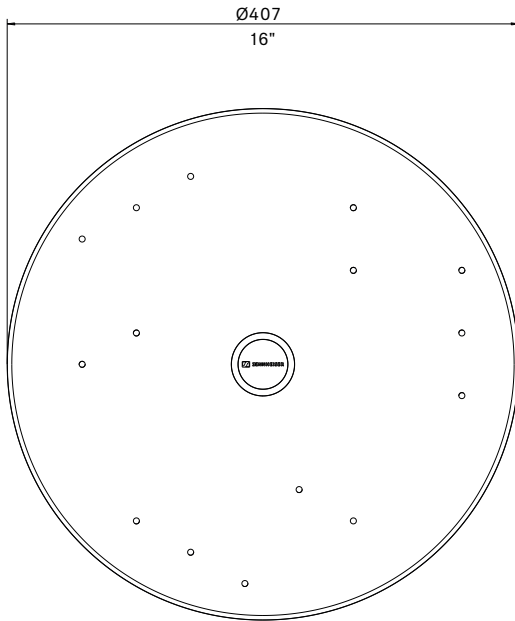




TeamConnect Ceiling Medium Ceiling microphone array

DIMENSIONS

Suspended



view from below, hole pattern, suspended mount

