



TeamConnect Bar S

All-In-One Device for Small Collaboration Rooms



The **TeamConnect Bar S** is the most flexible all-in-one device for small meeting rooms and collaboration spaces. It features 4 microphones and 2 speakers to deliver Trusted Sennheiser Audio Quality to every meeting.

The TC Bar S is a true problem solver with benefits like easy setup, brand agnostic integration, easy management & control, high video quality, security and sustainability.

FEATURES

- **Plug and Play Device**
Quick start via USB cable
- **Integrated Beamforming Technology**
Freedom of movement and seamless transition among presenters
- **Flexible Extensions**
Using Dante for adding extension mics and/or a 2nd external USB camera
- **High Video Quality**
4K Ultra HD camera equipped with advanced AI features
- **Full-Range Stereo Speakers**
Natural speech and outstanding intelligibility
- **Built-In DSP**
Automatically optimizes room acoustics
- **Multiple Mounting Options**
Wall Mount, VESA Mount, Tabletop or Freestanding
- **Autoframing and Person Tiling**
Features to clearly see everyone in the room
- **Control Management**
Full remote-control access via Sennheiser Control Cockpit
- **Brand Agnostic Integration**
Certifications pending for 3rd party media control systems (Barco, Crestron, Extron, Q-Sys) and platforms (Microsoft Teams, Zoom, Tencent, etc.)
- **Advanced Security Features**
Encrypted control communication and password protected by default for secure content transmission

SYSTEM REQUIREMENTS

- Windows: 10 or later
- macOS: 13 or later
- Android: 11 or later
- Installed DisplayLink driver on used operating system

DELIVERY INCLUDES

- TeamConnect Bar S
- Mounting Bracket
- Drilling Template
- Power Supply Unit + Power Cord
- Remote Control (incl. batteries, bracket & storage)
- Magnetic Lens Cap
- HDMI Cable
- USB-C to USB-C Cable
- Screws
- Quick Guide
- Safety Guide with manufacturer's declarations

ACCESSORIES

Description	Art. No.
Mounting Kit	700116
VESA Mounting Kit	700118
RC TC Bar (Remote Control)	700121
Magnetic Lens Cap	700122
Power Supply	700130
USB-C to USB-C-Cable (3 m)	700312
HDMI Cable	700120

CONTROL SOFTWARE

Sennheiser Control Cockpit

Free download at:

www.sennheiser.com/control-cockpit-software





TeamConnect Bar S

All-In-One Device for Small Collaboration Rooms

SPECIFICATIONS

General

Dimensions (L x W x H)	450 x 71 x 76 mm
Weight	1.5 kg
Operating temperature range	0 °C to 40 °C 32 °F to 104 °F
Storage temperature range	-25 °C to 70 °C -13 °F to 158 °C
Relative humidity operation	0 to 75 %, non-condensing
Relative humidity storage	0 to 95 %, non-condensing
DC IN	15 V $\overline{\text{DC}}$, max. 2 A
Max. power consumption	30 W
Voltage range PoE (PD)	42.5 – 57.0 V $\overline{\text{DC}}$ (IEEE 802.3at Type 2, PoE+)

Power State Information

Power State Information	≤ 0.50 W
Standby Mode	(Entered after < 2.5 hours with no activity on any network port)
Networked Standby (all ports)	≤ 2.00 W (Entered after < 20 minutes of inactivity)

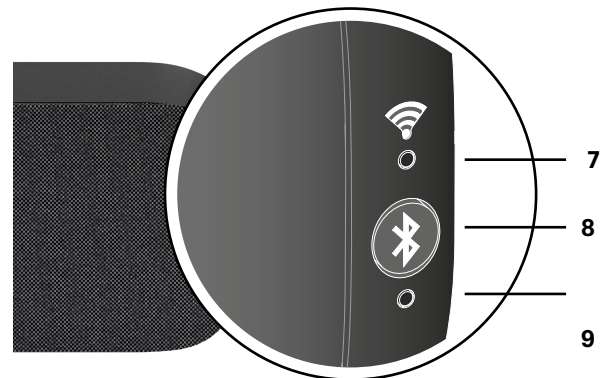
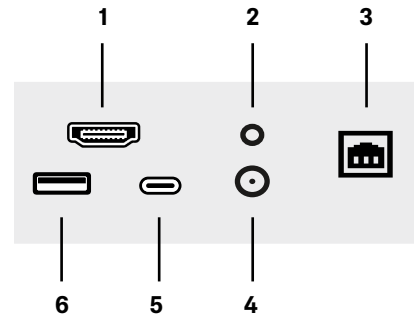
Interfaces

HDMI out	HDMI 2.0
USB-C	USB 3.1 (Gen 1)
USB-A	USB 3.1 (Gen1)
power output	5 V $\overline{\text{DC}}$, max. 900 mA
Ethernet	1 x 1000/100/10 Mbit/s (RJ45) Note: Only use network cables with the standard CAT5e (F/STP) or better.
DC IN dimension	5.5 x 2.1 x 10.5 mm

Wi-Fi

Standard	IEEE 802.11a / b / g / n / ac
Transmission system	SISO (Single-In, Single-Out)
Frequency ranges (max. RF output power)	2412 MHz – 2472 MHz (max 20 dBm RF power) 5150 MHz – 5350 MHz (max. 23 dBm RF power) 5470 MHz – 5725 MHz (max. 23 dBm RF power) 5725 MHz – 5850 MHz (max. 14 dBm RF power)
Modulation	64QAM, 16QAM, QPSK, BPSK, CCK, DQPSK, DBPSK

INTERFACES AND CONNECTIONS



1	HDMI	HDMI out Connector
2	Reset	Factory Reset
3	Ethernet	Ethernet PoE (PSE) / RJ45 / Dante
4	DC	DC IN
5	USB-C	USB-C Connector
6	USB-A	USB-A Connector
7	WiFi LED	LED for WiFi Connection Status
8	BT Button	Bluetooth Pairing Initialization
9	BT LED	Bluetooth Pairing LED



TeamConnect Bar S

All-In-One Device for Small Collaboration Rooms

SPECIFICATIONS

Bluetooth®

Version	5.1
Transmission frequency	2402 MHz - 2480 MHz
Modulation	GFSK, $\pi/4$ DQPSK, 8DPSK
Profiles	A2DP, HFP, AVRCP
Max. RF output power	10 dBm
Codec	SBC

Loudspeaker

Number of speakers	2 full range loudspeakers with passive radiator
Diameter	50 mm (2")
Frequency response	100 Hz - 18 kHz
THD at max. output	< 5 %
Amplifier	Class-D
Max. SPL (output)	80 dB SPL
Total Audio Power (RMS/PEAK)	10 W / 20 W

Microphones

Transducer principle	MEMS
Pick-up pattern	Beamforming Array
Number of microphone capsules	4
Frequency range	100 Hz to 14.5 kHz
Pickup range	3.5 m
Dynamic range	69 dB (A)

Camera

Resolution	UHD 2160p (4K), 1080p, 720p, 960×480, 848×480, 640×480, 640×360, 432×240
Zoom certified optional	2x digital (Microsoft Teams) 3x digital
Technology	ePTZ
Diagonal field of view	120°
Horizontal field of view	115°





TeamConnect Bar S

All-In-One Device for Small Collaboration Rooms

SPECIFICATIONS

RC TC Bar

Transmission	infrared
Range	approx. 6 m
Power Supply	2 AAA batteries, 1.5 V (zinc-carbon battery)
Dimensions (L x W x H)	126 x 40 x 14 mm
Weight	
Remote Control	60 g (incl. batteries)
Holder	160 g
Temperature range	-10 °C to 50 °C 14 °F to 122 °F

Mounting Kit

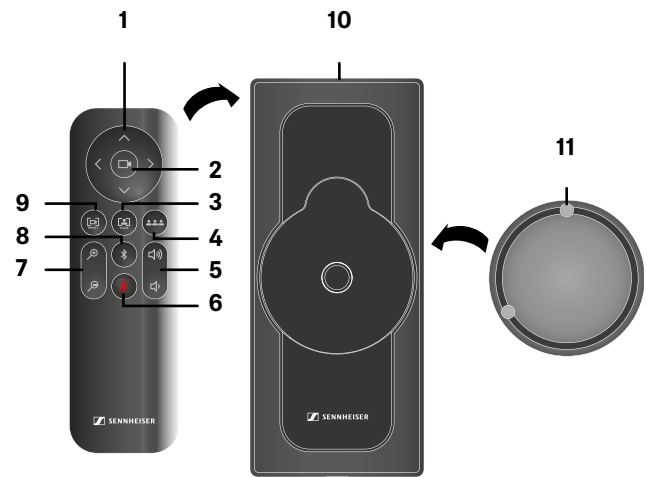
Dimensions (L x W x H)	199 x 62 x 74 mm
Weight	ca. 340 g

VESA Mounting Kit (optional accessory)

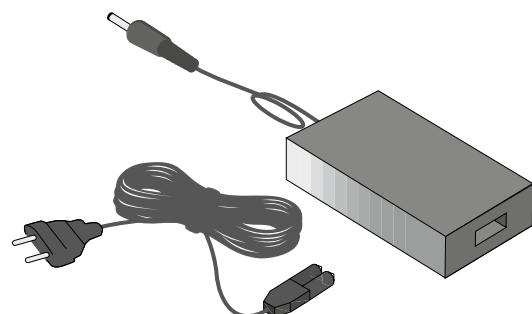
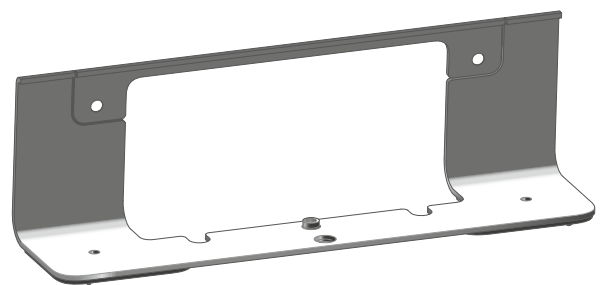
Screen size	27" - 78"
Max. extension	845 mm (33")
Weight	2.6 kg (57 lbs)
Max. load	20 kg (44 lbs))

Power Supply TC Bar S

Dimensions (L x W x H)	108 x 52 x 34 mm
Weight	300 g
Input voltage	100 - 240 V ~
Input frequency	50 - 60 Hz
Input current	1500 mA _{rms}
Output voltage	15 V ---
Output current	3000 mA
Power output	45 W
AC plug type	2-pin
DC plug dimensions	5.5 x 2.1 x 11 mm
Relative humidity operation	20 to 98 %, non-condensing
Relative humidity storage	20 to 98 %, non-condensing
Operating temperature	0° C to 40 °C 32 °F to 104 °F
Storage temperature range	-40 °C to 80 °C -40 °F to 176 °F



- 1 Camera Pan & Tilt
- 2 Camera Home View
- 3 Auto Framing Mode
- 4 Person Tiling Mode
- 5 Volume Controls
- 6 Mute ON/OFF
- 7 Camera Zoom
- 8 Bluetooth Pairing
- 9 Camera Preset
- 10 Bracket & Storage
- 11 Magnetic Lens Cap





TeamConnect Bar S

All-In-One Device for Small Collaboration Rooms

INSTALLATION TYPES

Wallmount

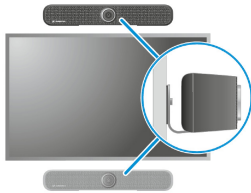
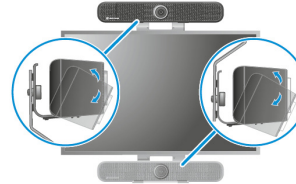


Table Top



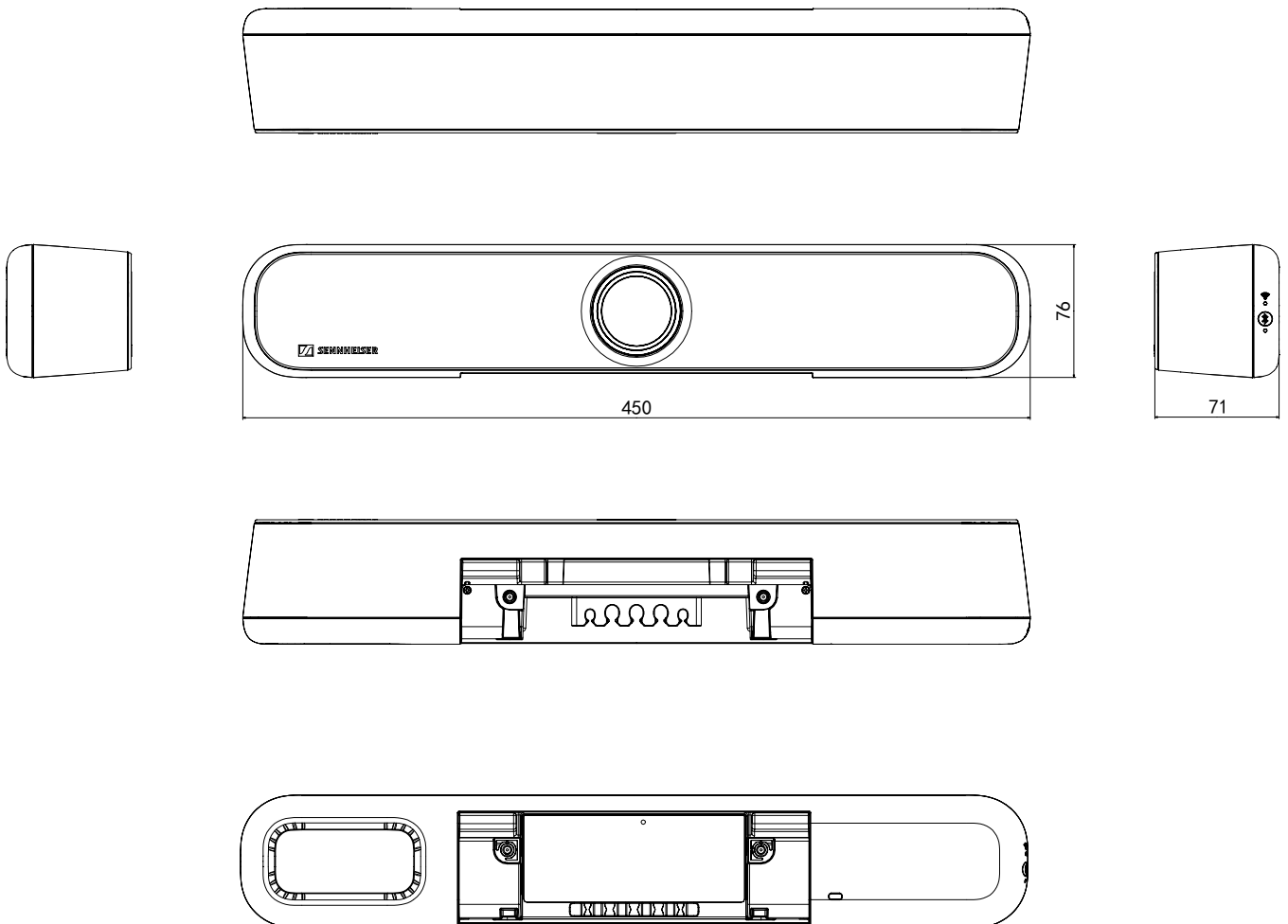
VESA Mount



Free Standing



DIMENSIONS TC BAR S

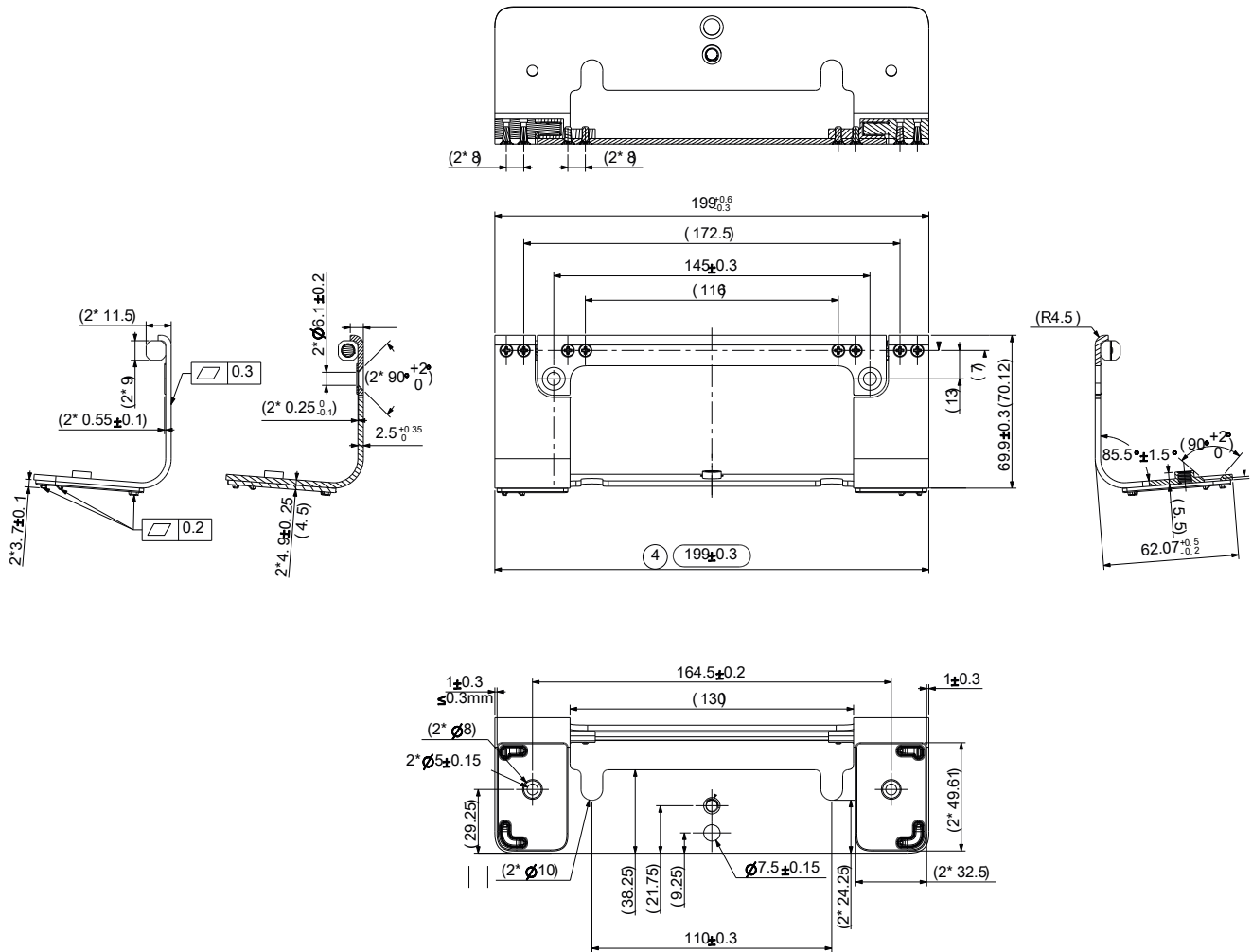




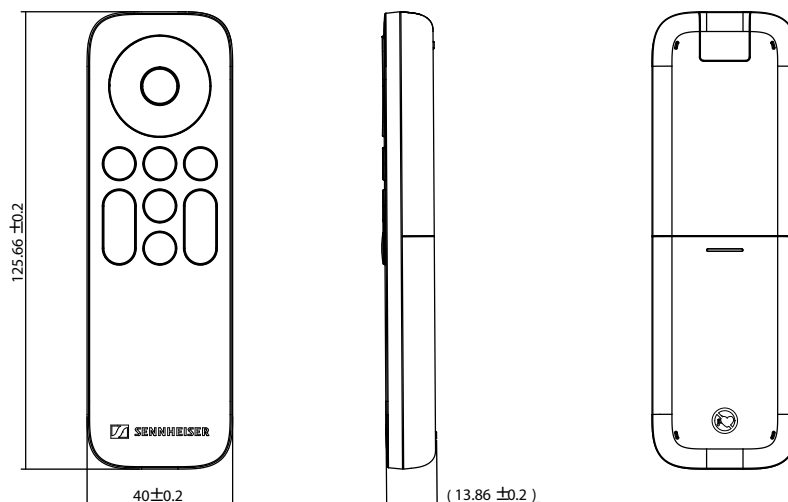
TeamConnect Bar S

All-In-One Device for Small Collaboration Rooms

DIMENSIONS MOUNTING BRACKET



DIMENSIONS REMOTE CONTROL

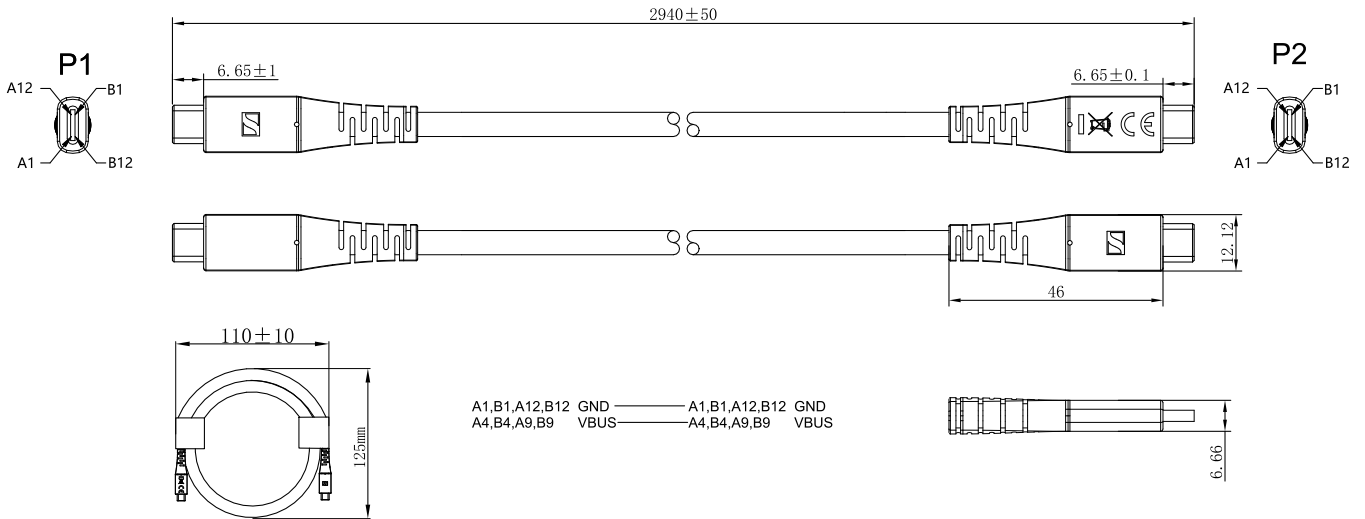




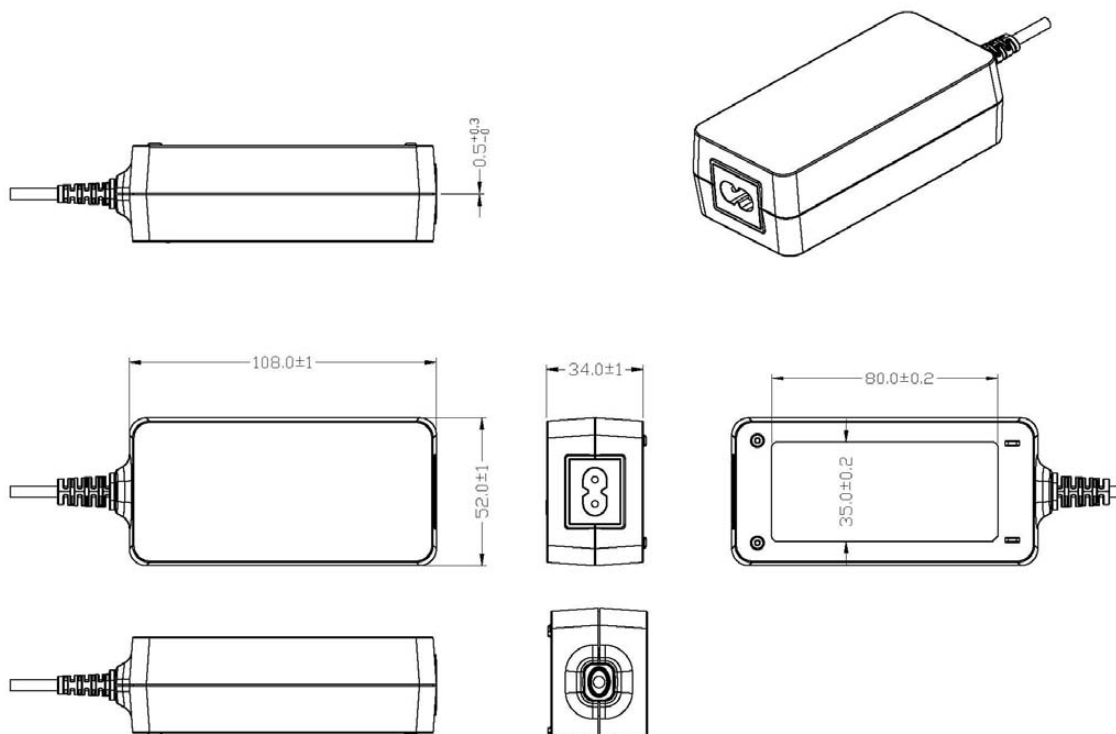
TeamConnect Bar S

All-In-One Device for Small Collaboration Rooms

DIMENSIONS USB-C CABLE



DIMENSIONS POWER SUPPLY





TeamConnect Bar S

All-In-One Device for Small Collaboration Rooms

ARCHITECT'S SPECIFICATION

All-In-One-Conferencing Device (Plug-and-Play)

The TC Bar S shall be designed as an all-in-one conferencing system that supports video and audio streaming for small conference rooms. The plug-and-play device is intended to fit in any room, supporting different installation types depending on space constraints, and is easily connected via a USB connection.

The TC Bar S features an in-built DisplayLink technology and does not require an additional HDMI cable from the PC to the TV. With an up-to-date DisplayLink driver, multiple monitors can be quickly and easily connected to a PC via a simple USB-C connection.

Only one bracket for all mounting accessories is to be available, which supports installation types as wall mounting, tabletop and freestanding. For suspensions on TVs only one VESA mount should be available for all common TV sizes up to 65".

Beamforming Technology

The TC Bar S consists of four pre-polarized condenser beamforming MEMS microphone capsules which automatically focus on the person speaking in the room. Depending on the direction from which a speaker is detected, the beam that can best detect the speaker is selected. If another speaker from another direction is detected the algorithm will switch beams automatically. One Priority Zone and up to three Exclusion Zones shall be adjustable in the Sennheiser Control Cockpit software at the same time.

Flexible Extensions

The TC Bar S has an Ethernet RJ45 socket for network control with the Sennheiser Control Cockpit software and for using Dante with regard to the extension with additional microphones and/or a 2nd external USB camera in the room. In addition, the RJ45 socket allows the device to be controlled via a third-party application and to be powered via Power over Ethernet in accordance with the IEEE 802.3at Type 2, PoE+ standard.

Bring-Your-Own-Device Philosophy

The TC Bar S should enable fast and uncomplicated connection to conference-capable devices, regardless of the installation type. The USB port allows to easily connect to 3rd party media control systems (Barco, Crestron, Extron, Q-Sys) and platforms (Microsoft Teams, Zoom, Tencent, etc.) and be ready to go.

The TC Bar S is equipped with Bluetooth and WiFi technology for wireless remote control of the TC Bar M via control systems and mobile devices.

High Video Quality

The TC Bar S shall be equipped with a 4K Ultra HD camera to achieve high video quality. The camera provides advanced AI functions and supports features such as autoframing and person tiling to clearly identify all people in the room.

Full-Range Stereo Speakers

The TC Bar S features two full-range stereo speakers that provide natural speech reproduction and excellent intelligibility. An integrated DSP is designed to automatically optimize the acoustics in the room.

Advanced Security Features

The TC Bar S shall be equipped with advanced security features to ensure an encrypted control communication by default. The TC Bar S should be password protected for secure content transmission and shall be claimed via Sennheiser Control Cockpit for activating the full device control.

Control Management

The TC Bar S is to be fully remote controllable via the Sennheiser Control Cockpit software. The software allows adjustment of all available settings of the TC Bar such as audio, zones, device, network and access.