

ELECTRONIC DOOR STRIKE MINI SERIES 5

Fully reversible, highly resistant electronic door strike for installation into door frames. It is one of the smallest strikes on the market with a width of just 16 mm, the perfect choice for narrow profiles, such as aluminum, wood or PVC. This strike has minimal current consumption when opening standard doors and comes in different variants, each supplied with a short (130mm) or long (250mm) metal cover plate. A radial latch rotates inside the mechanical housing.

STANDARD DOOR STRIKE

Unlocks when under power

ORDER NO.: 11202101

ORDER NO.: 11202101-L



DOOR STRIKE WITH MECHANICAL BLOCKING

Unlocks when under power. Moreover, it also has a mechanical switch that allows the door to be kept permanently opened.

ORDER NO.: 11202103

ORDER NO.: 11202103-L



DOOR STRIKE WITH HOLD-OPEN MECHANISM

A short electric impulse is sufficient to unlock the strike for a single pass. It automatically switches back to the blocked position after each pass.

ORDER NO.: 11202102

ORDER NO.: 11202102-L

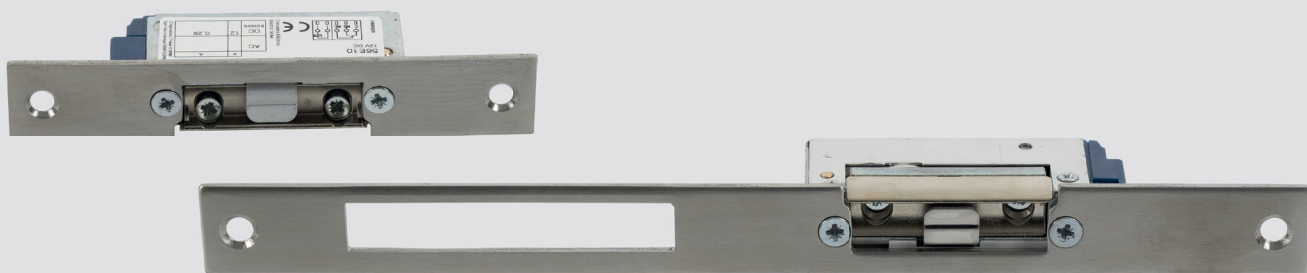


DOOR STRIKE WITH MONITORING

Unlocks when under power and includes a microswitch that monitors door status - open or closed. It thus fully replaces an additional magnetic contact installed on the door. Door status can be sent to the access control system via output terminals.

ORDER NO.: 11202104

ORDER NO.: 11202104-L

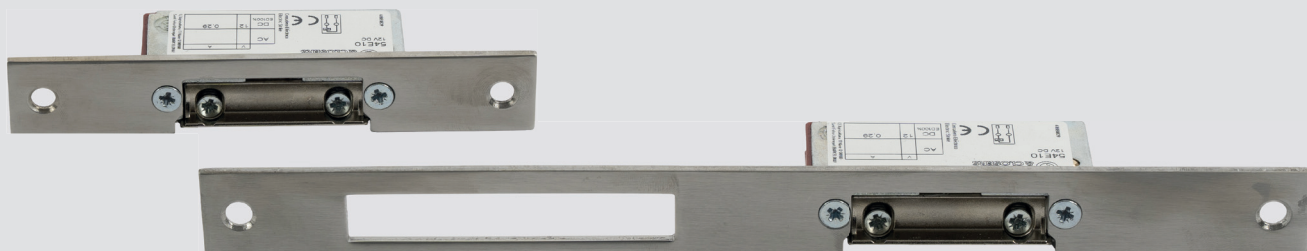


REVERSE DOOR STRIKE

This strike is secured, i.e., in blocked position, when under power. When the power is disconnected, the strike is unblocked, and the door can be opened.

ORDER NO.: 11202105

ORDER NO.: 11202105-L

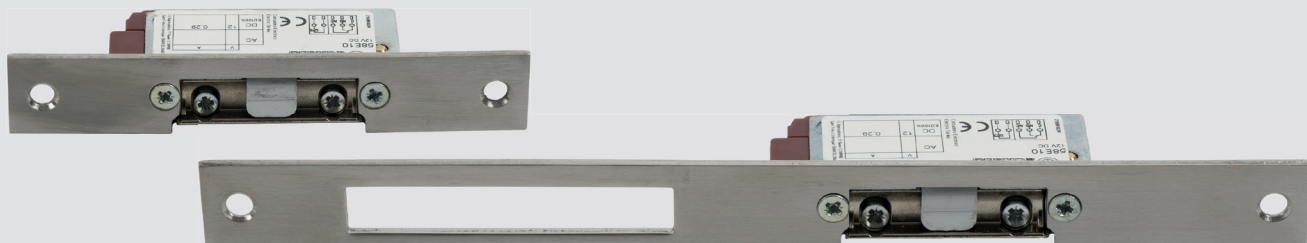


REVERSE DOOR STRIKE WITH MONITORING

This strike is blocked when under power. When the power is disconnected, the strike is unblocked, and the door can be opened. It also has a microswitch that monitors door status (open or closed).

ORDER NO.: 11202106

ORDER NO.: 11202106-L



TECHNICAL PARAMETERS

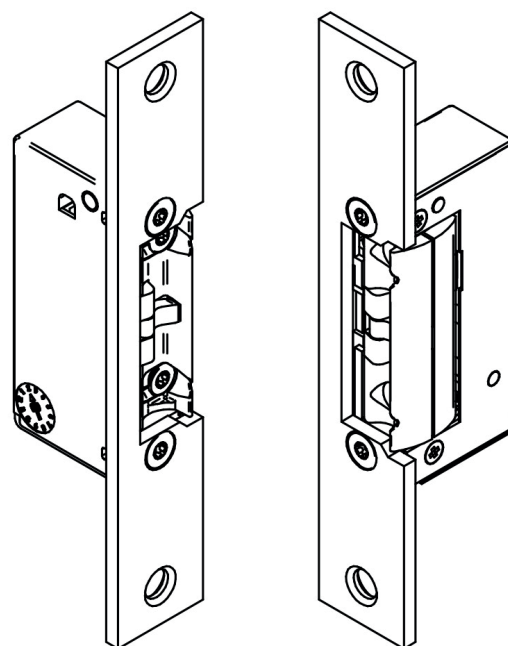
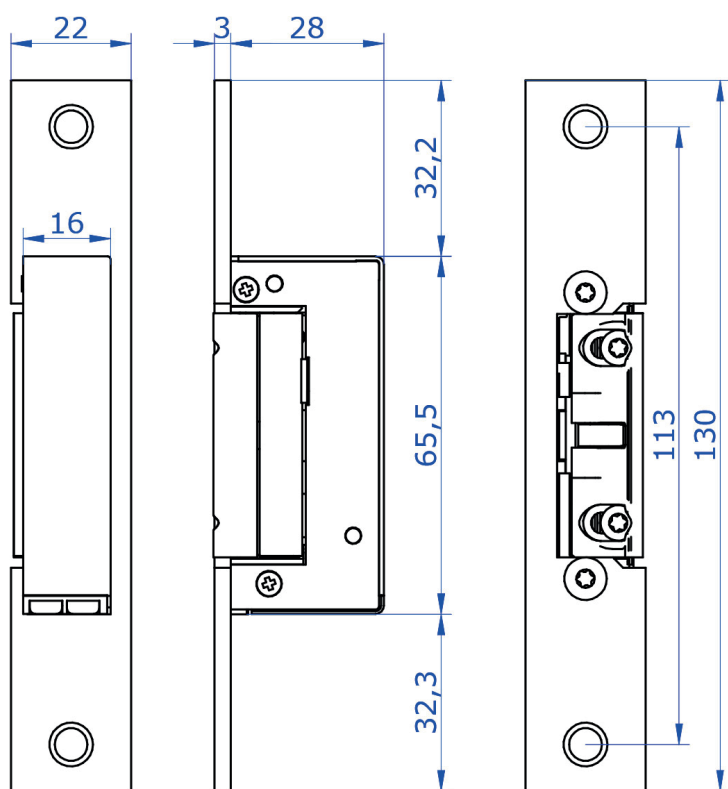
| | |
|---|---|
| Max. power input AC: | 160 N |
| Max. power input DC: | 10 N |
| Max. load against unauthorized penetration: | 4 000 N |
| Operating temperature: | -15°C to +40°C |
| Adjustable catch: | yes (radial) |
| Reversible: | yes |
| Electronic protection: | yes |
| Housing: | ZAMAK |
| Catch: | ZAMAK |
| Standards: | electromagnetic compatibility pursuant to 2004/108/CE (EN 55014) Corrosion resistance pursuant to UNI ISO 9227 |

MONITORING PARAMETERS (WITH MICROSWITCH):

| | |
|------------------------|---|
| Power: | 1 A/125 V AC or 0.5 A/30 V DC |
| Operating speed: | 1 at 500 mm/second (at the pin) |
| Operating frequency: | mechanical: 200 operations per minute electric: 30 operations per minute |
| Contact resistance: | 50 mΩ maximum |
| Insulation resistance: | 100 MΩ minimum (@ 500 V DC) |
| Operating temperature: | -25°C to 65°C (free of ice) |
| Relative humidity: | max. 85% (5°C to 35°C) |
| Expected lifespan: | mechanical: min. 300,000 operations electric: min. 30,000 operations |

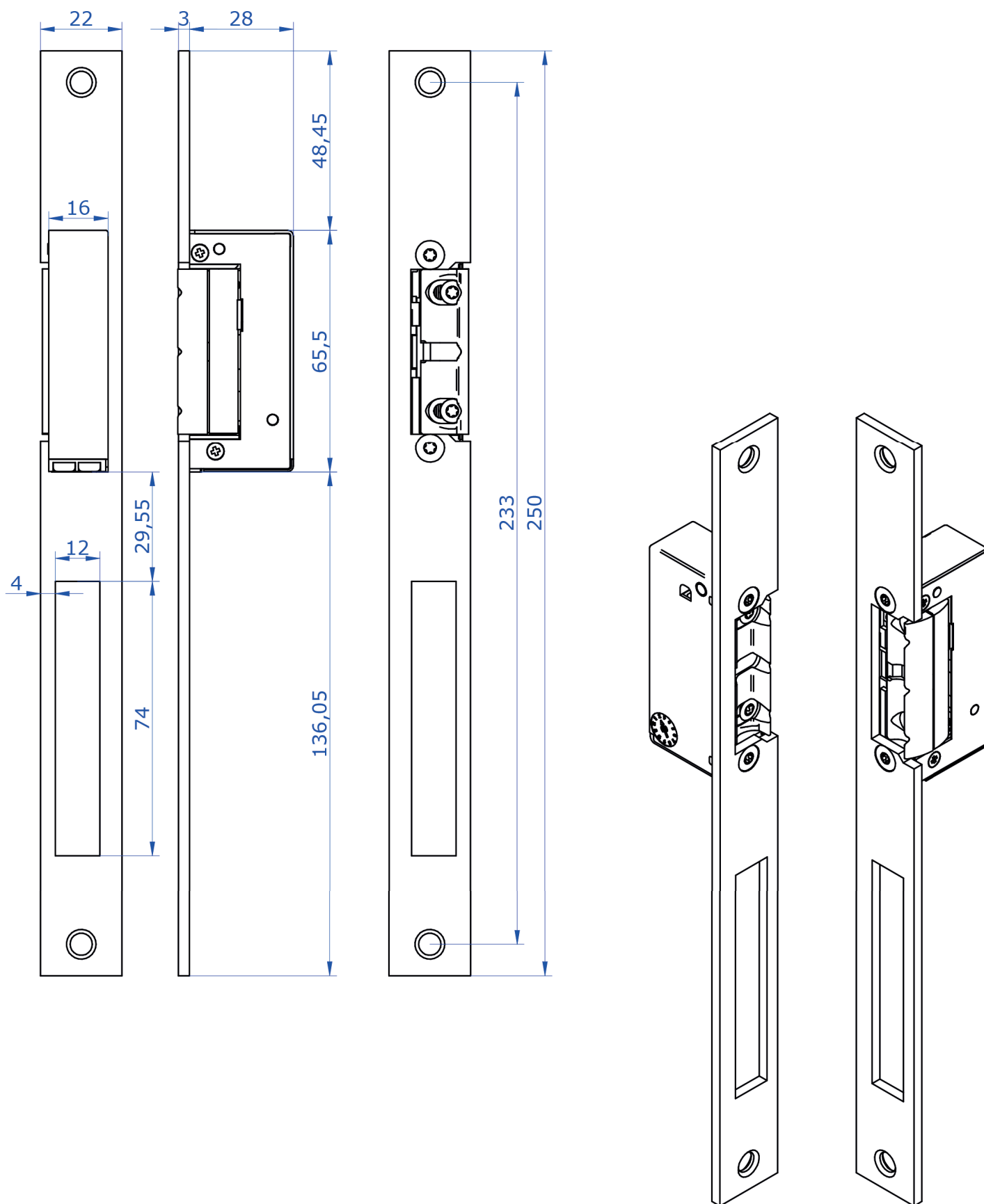
TECHNICAL DRAWINGS:

Valid for the following order numbers: 11202101, 11202102, 11202103, 11202105



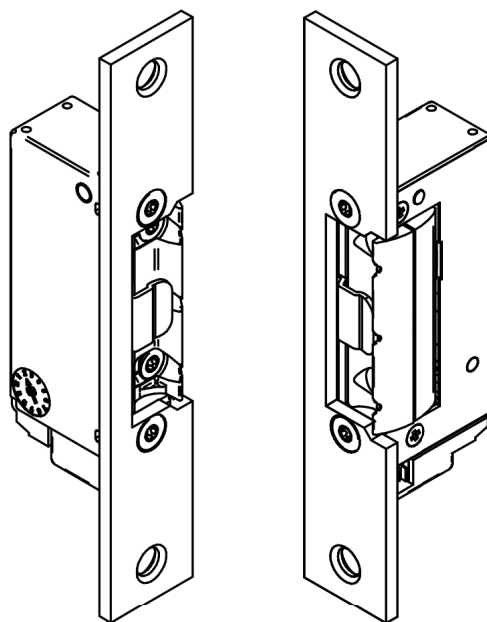
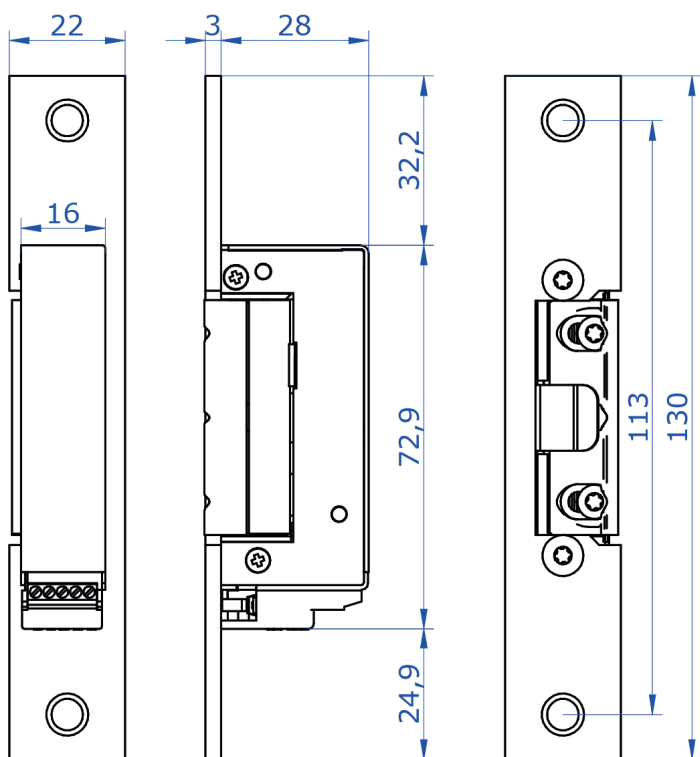
TECHNICAL DRAWINGS:

Valid for the following order numbers: 11202101-L, 11202102-L, 11202103-L, 11202105-L



TECHNICAL DRAWINGS:

Valid for the following order numbers: 11202104, 11202106



TECHNICAL DRAWINGS:

Valid for the following order numbers: 11202104-L, 11202106-L

